

PRODUCT TECHNICAL SHEET

Collection : **DYNAMIC**

Ref. : **4027.--.28**

Batterie de cuisine 4 trous, douchette poussoir à inverseur automatique et grand bec mobile 235mm
 4-gats keukenmengkraan, handdouche met drukknop, automatische omschakelaar en grote draaibare uitloop 235mm
 4-hole kitchen mixer, handshower with pusher, automatic diverter and great swivel spout 235mm

Picture

Product details

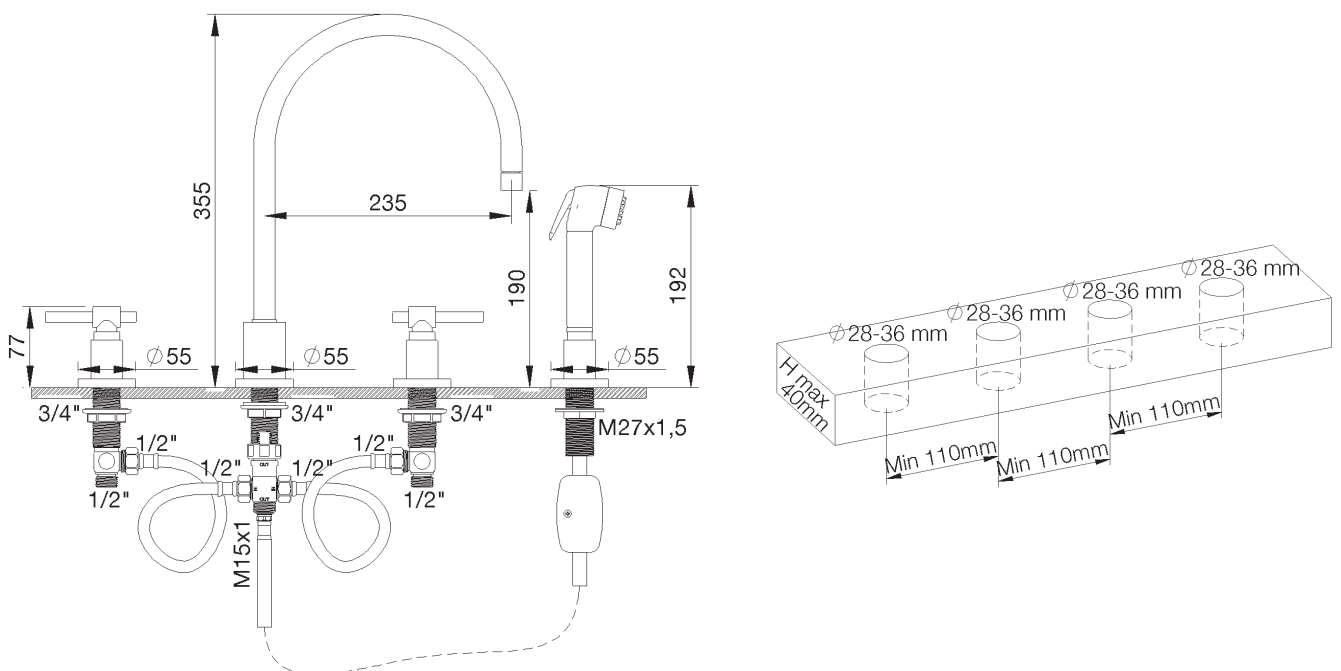


Flow at 3 bar : Restricted 9,0 l/min

Internal mechanism : Ceramic valve 1/4 turn

Diverter : Automatic pressure diverter

Technical drawing



RB2.V01